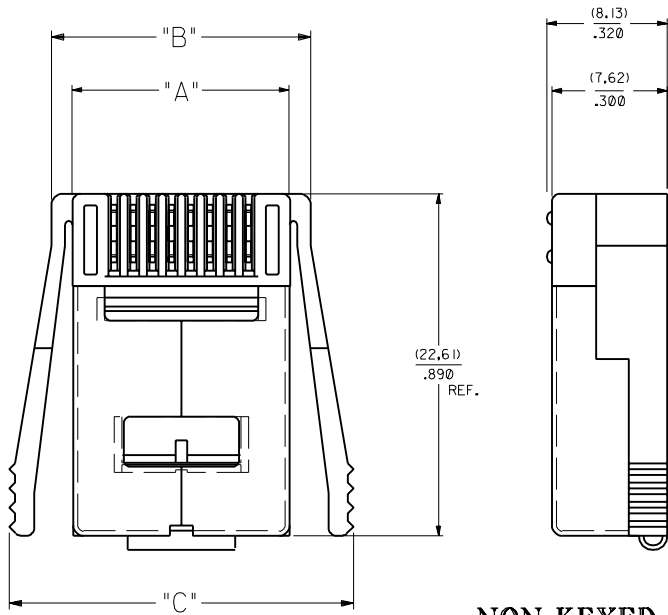
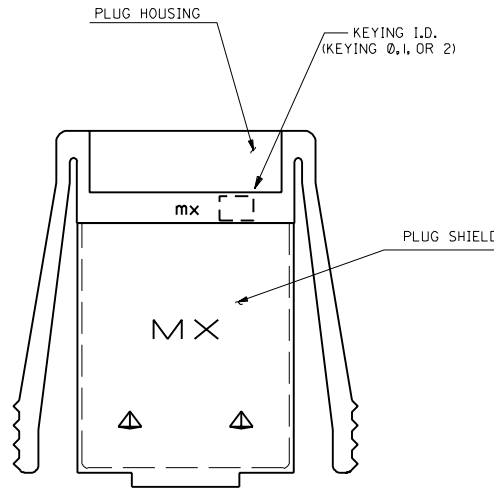


| NON-KEYED VERSION<br>A-71350-00** |              | KEYING OPTION "1"<br>A-71350-10** |              | KEYING OPTION "2"<br>A-71350-20** |              | CKT.<br>SIZE | DIM. "A" |      | DIM. "B" |       | DIM. "C" |       |
|-----------------------------------|--------------|-----------------------------------|--------------|-----------------------------------|--------------|--------------|----------|------|----------|-------|----------|-------|
| E.D.P. NUMBER                     | ENG. NUMBER  | E.D.P. NUMBER                     | ENG. NUMBER  | E.D.P. NUMBER                     | ENG. NUMBER  |              | MM       | IN.  | MM       | IN.   | MM       | IN.   |
| 015-83-0604                       | A-71350-0004 | 015-83-0634                       | A-71350-1004 | 015-83-0654                       | A-71350-2004 | 04           | 9,30     | .366 | 12,06    | .475  | 17,22    | .678  |
| 015-83-0606                       | A-71350-0006 | 015-83-0636                       | A-71350-1006 | 015-83-0656                       | A-71350-2006 | 06           | 11,84    | .466 | 14,60    | .575  | 19,76    | .778  |
| 015-83-0608                       | A-71350-0008 | 015-83-0638                       | A-71350-1008 | 015-83-0658                       | A-71350-2008 | 08           | 14,38    | .566 | 17,14    | .675  | 22,30    | .878  |
| 015-83-0616                       | A-71350-0016 | 015-83-0646                       | A-71350-1016 | 015-83-0666                       | A-71350-2016 | 16           | 24,54    | .966 | 27,31    | 1.075 | 32,46    | 1.278 |



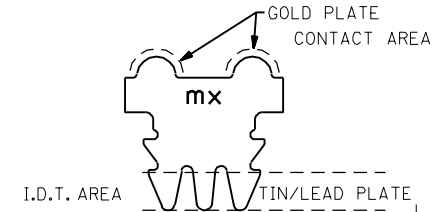
NON-KEYED VERSION



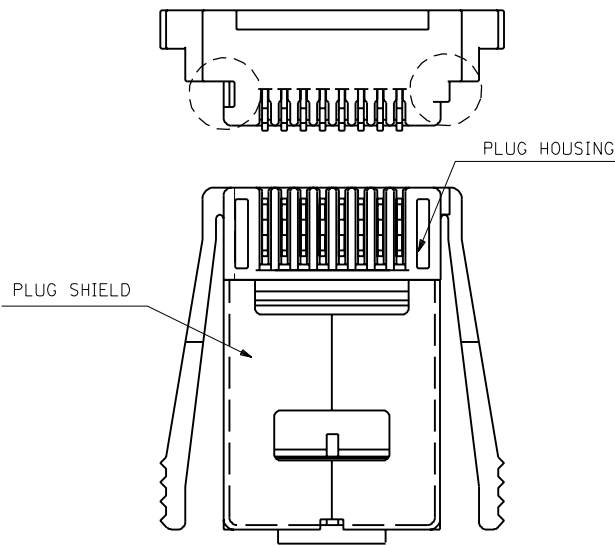
NOTES:

- FOR ILLUSTRATION PURPOSES 8 CIRCUIT SHOWN.
- REFER TO PK-70873-0054 FOR STANDARD PACKAGING.
- MUST CONFORM TO PS-71350-A & AS-71350.
- MATERIAL:

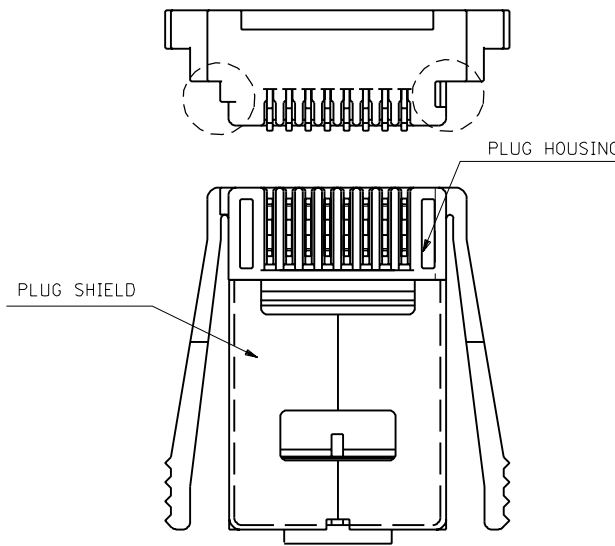
PLUG HOUSING: POLYCARBONATE ALLOY; COLOR: CLEAR  
 PLUG SHIELD: BRASS WITH 100 MICRO-INCH TIN PLATE OVER 50 MICRO-INCH NICKEL.(MOLEX ES-88 CODE 154)  
 CONTACTS: PHOSPHOR BRONZE, 50 MICRO-INCH GOLD SELECTIVE PLATE IN THE CONTACT AREA, 50 MICRO-INCH TIN/LEAD SELECTIVE PLATE IN THE IDT AREA, BOTH OVER 50 MICRO-INCH NICKEL UNDERPLATE. (MOLEX ES-88 CODE 575).



SIDE VIEW OF CONTACT  
SEE MATERIAL NOTE ABOVE



KEYING OPTION "1"



KEYING OPTION "2"

|    |  |
|----|--|
| FI | UPDATED NOTE 3<br>PER DDT2002-0476<br>09/25/01 ICAR/KCI  |
| F  | REVISED IGCKT DIM.<br>PER ECR #J10523<br>02/22/91 MURPHY |
| E  | REVISED NOTES PER<br>ECR #UB1804<br>8/17/88 BIXLER       |
| D  | REVISED DIM. "C"<br>PER ECR #10566<br>10/26/87 CB/JL     |
| C  | REVISED PER DETAILS<br>PER ECR #1045<br>5/29/87 CAB      |
| B  | REVISED<br>PER ECR # 9274<br>07/10/86 J. LONG            |
| A  | ADDED EDP NO.5<br>PER ECR # 22328<br>06/06/86 J. LONG    |
| I  | X-RELEASE<br>PER ECR # 21435<br>11/26/85 J. LONG         |

| MFG. SH. | REV. | LTR. | REVISIONS |
|----------|------|------|-----------|
|          |      |      |           |

DIMENSIONS SHOWN (METRIC) INCH  
UNLESS OTHERWISE SPECIFIED  
TOLERANCES ANGULAR ± 1/2°

| 5 PLACE | ±   | INCH | METRIC |
|---------|-----|------|--------|
| 2 PLACE | ±   | ---  | ---    |
| 1 PLACE | --- | ±    | ---    |

DRAFT WHERE APPLICABLE MUST REMAIN WITHIN DIMENSIONS

SEE CHART

MOLEX INCORPORATED  
115LE, ILL. 60532 U.S.A.

SHEET NO. 1 OF 1 DATE 11/23/85

FILE NAME S71350X01.DWG. NO. SDA-71350-0000

APPROVED BY: J. Long, I.T. SCALE: 4:1

THIS DRAWING CONTAINS INFORMATION THAT IS PROPRIETARY TO MOLEX INC. AND SHOULD NOT BE USED WITHOUT WRITTEN PERMISSION.

71350

A